

SEAT

Designer: SPARK - Tom Lauck



SLATS

- Oiled hardwood
- Composite

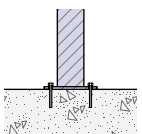
FRAME

- Hot dip galvanised mild steel

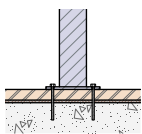
FRAME FINISH

- Galvanised
- Powdercoated

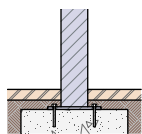
INSTALLATION



Bolt Down



Bolt Through



Below Ground

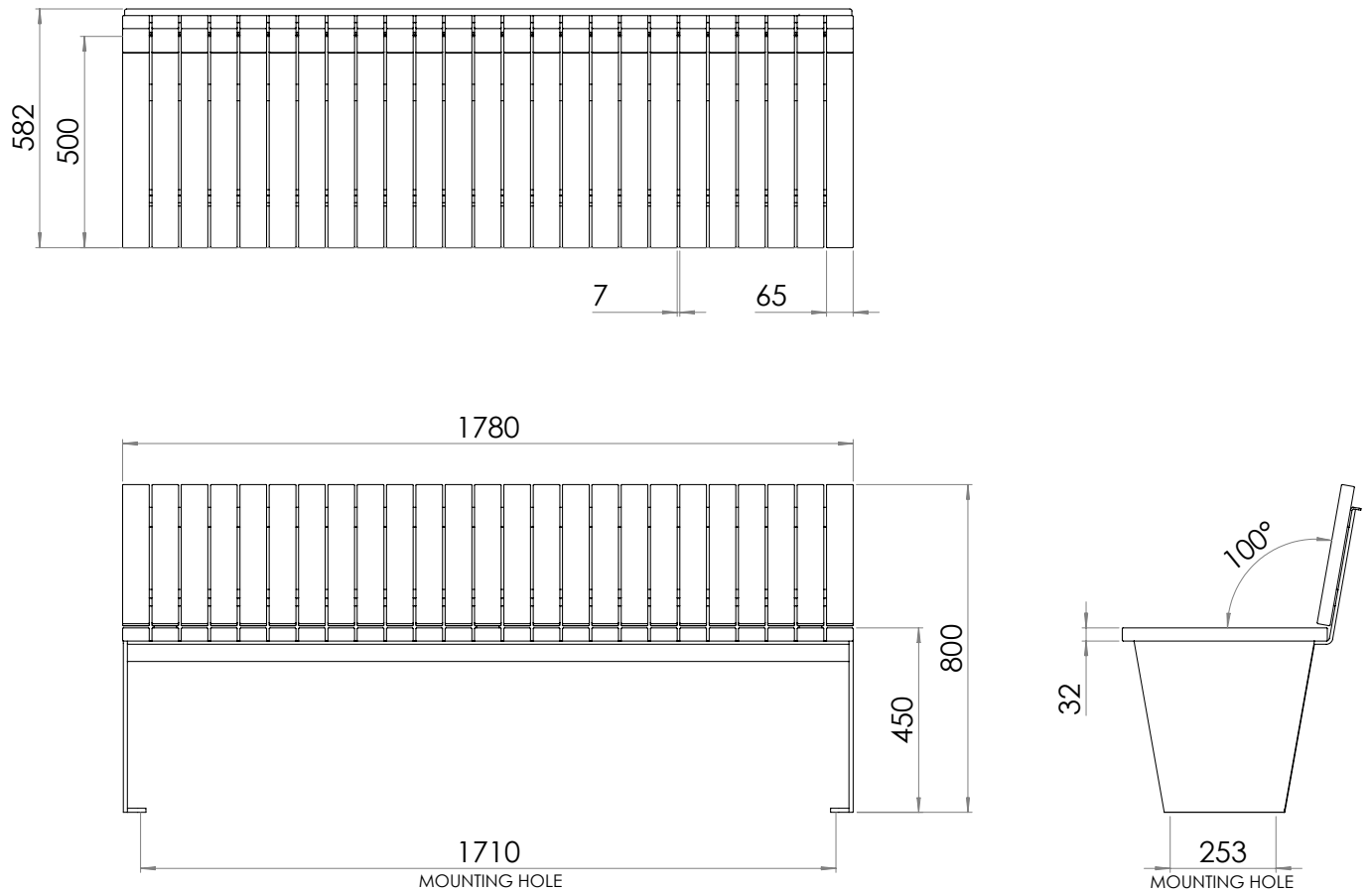
FIXINGS

- 12mm fixings for 14mm for Diameter holes

Alternative finishes available on request

WAVE SEAT

SPECIFICATIONS



All measurements are in millimetres. Drawings are not to scale.
Dimensions shown are for timber slat option.

PRODUCT CODE	FRAME FINISH	SLAT OPTION & SIZE (mm)
WAV003-HDG-GV-T	Galvanised	65x32 Oiled hardwood timber
WAV003-HDG-GV-C	Galvanised	60x40 Composite
WAV003-HDG-PC-T	Powdercoated	65x32 Oiled hardwood timber
WAV003-HDG-PC-C	Powdercoated	60x40 Composite